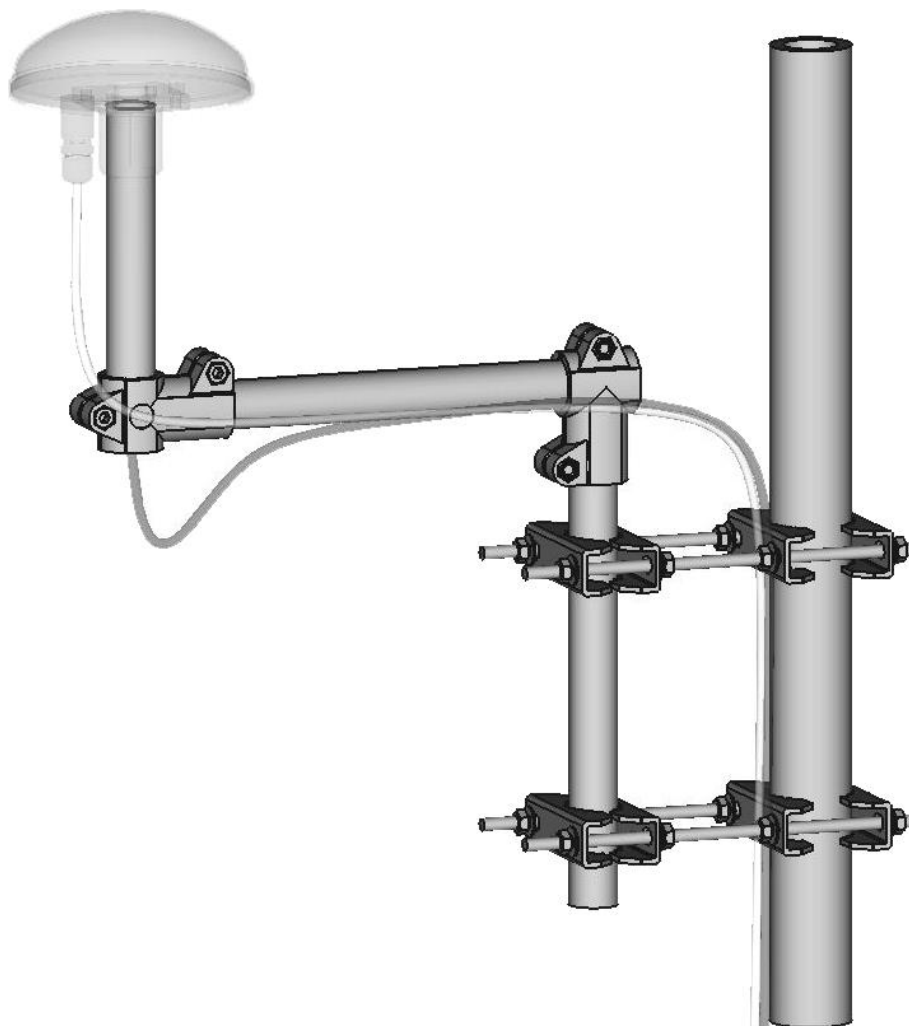



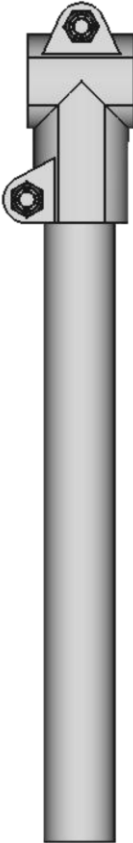
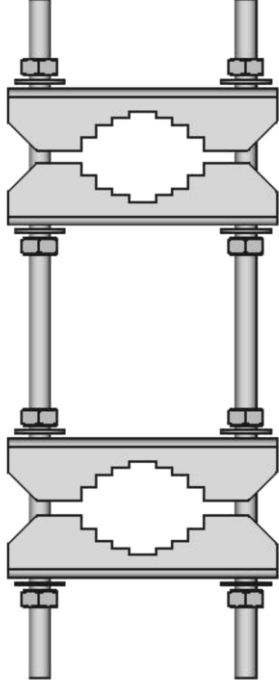
## Antenna Mounting kit

# FG4490M01

## Quick Installation Guide

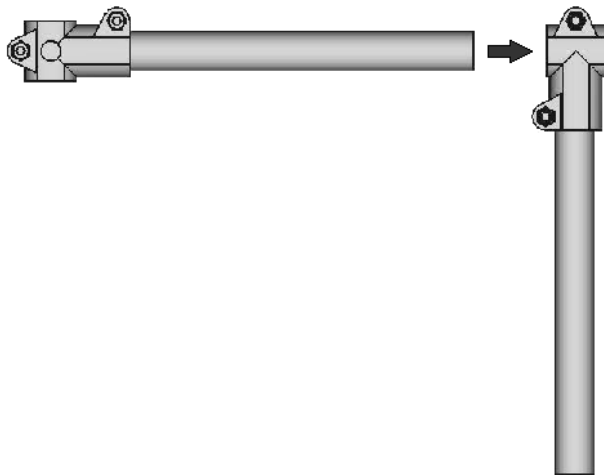


### Component Overview

<p>①</p> <p>1x</p>  <p>210mm aluminum tube</p>	<p>②</p> <p>2x</p>  <p>300mm aluminium tube with angle clamp</p>	<p>③</p> <p>2x</p>  <p>60mm double pipe clamp</p>
--	--	---

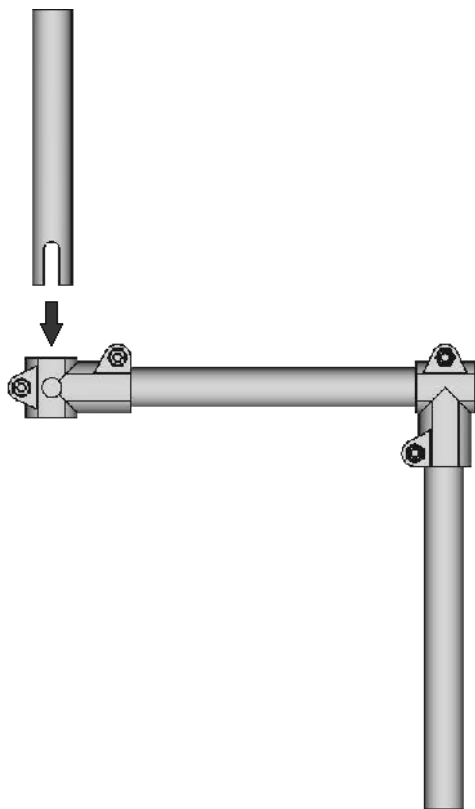
**ATTENTION:** The device should only be operated by qualified staff or employees who have received specific instruction.

## Mounting



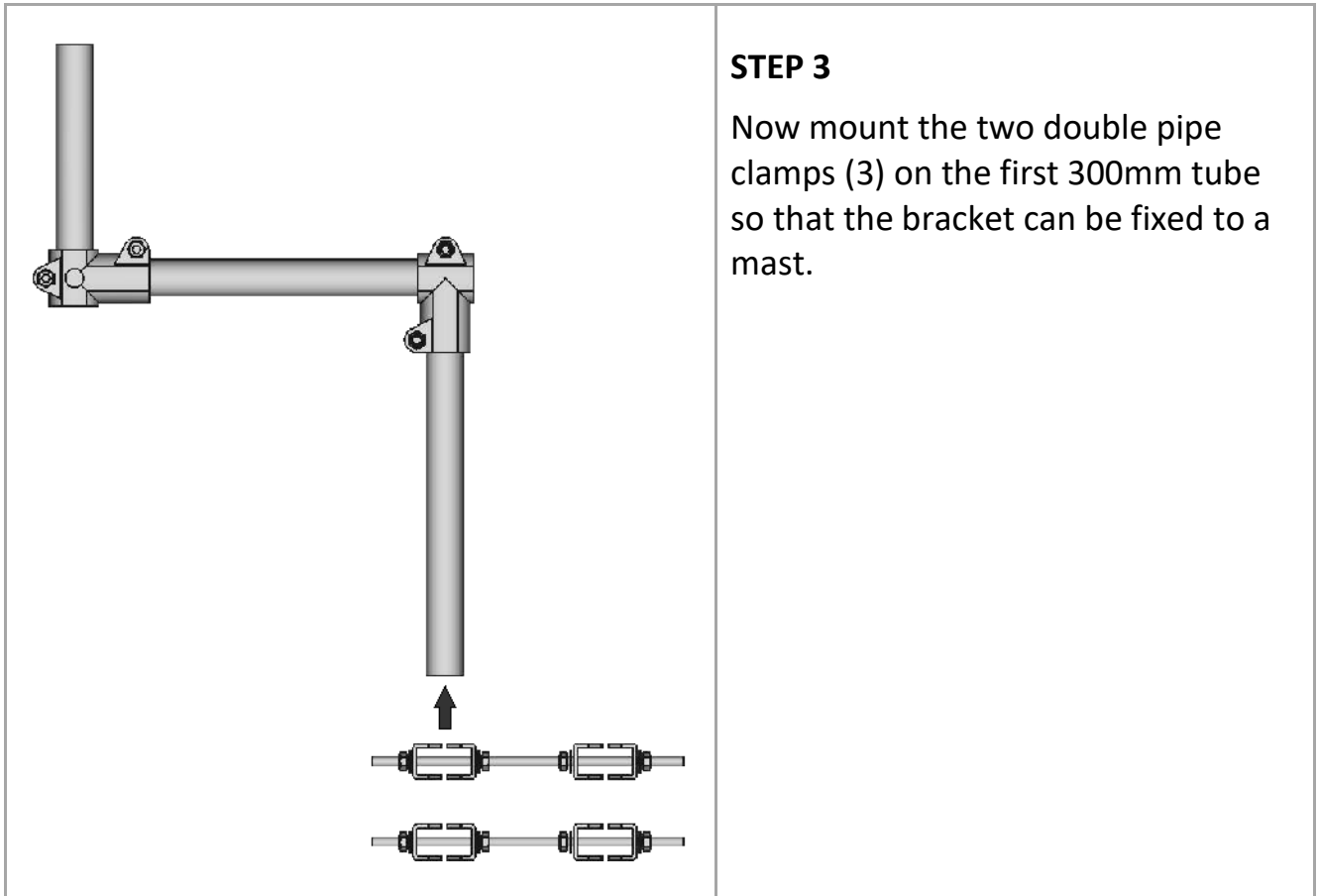
### STEP 1

Mount the first 300mm aluminium tube (2) into the angle clamp of the second 300mm aluminium tube (2)



### STEP 2

Mount the 210mm aluminium tube (1) in the already mounted angle clamp of the last mounted 300mm aluminium tube



## Drilling Sketch

